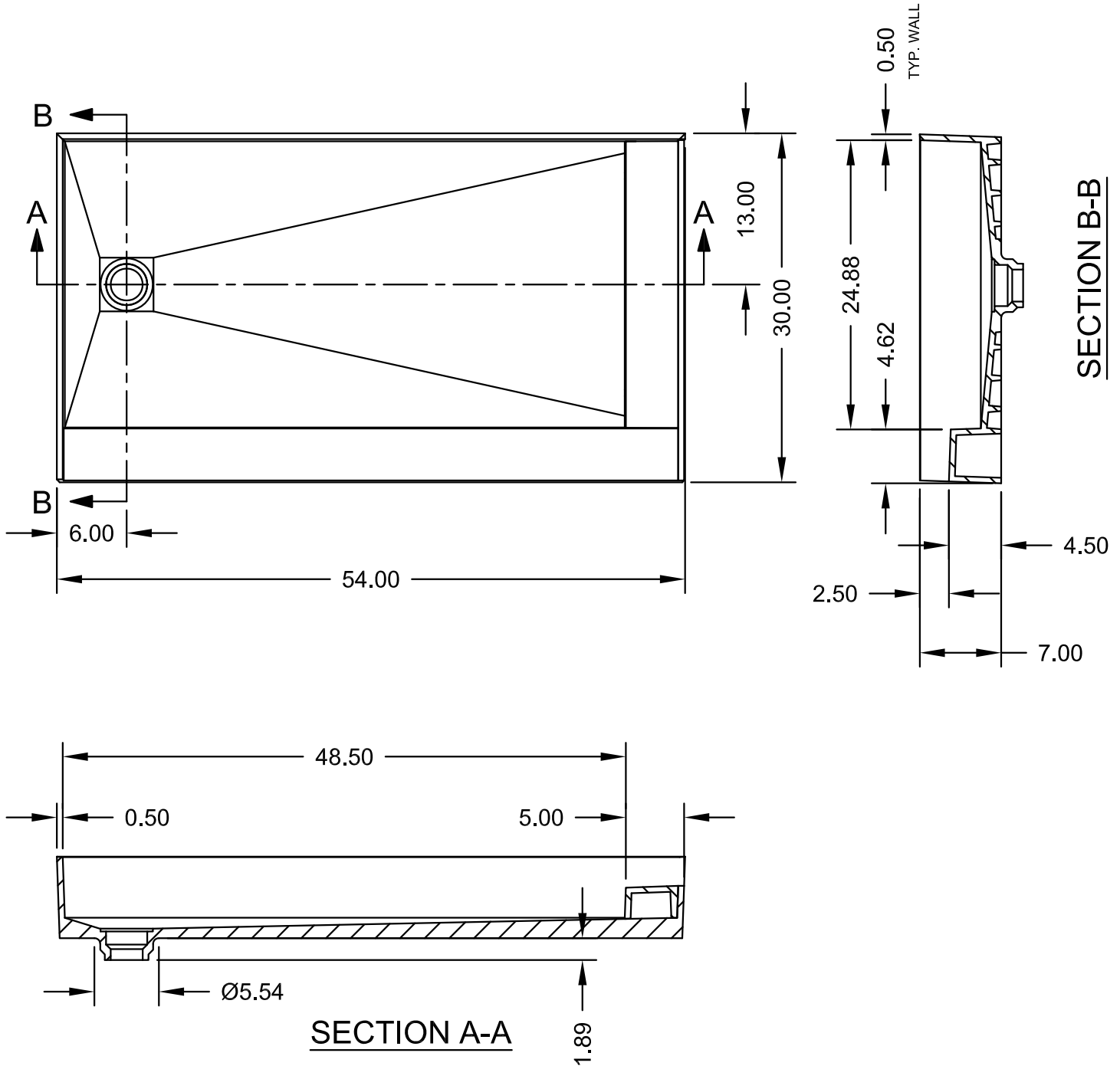


TILE READY[®] Double Curb Shower Pan Redi Base[™] Model 3054LDR



(30"D x 54"W - Left Drain, Curbs on 54" side & 30" right side)

SCALE: 1/12



	ANSI Z124.1-95	ASTM F462-79
	ANSI Z124.2-95	B45.0-02
	ICC/ANSI A117.1.98	B45.5-02

Toll Free 800.232.6156 techsupport@tileredi.com
 Tel: 954.323.0125
 Fax: 954.344.8064 www.tileredi.com

