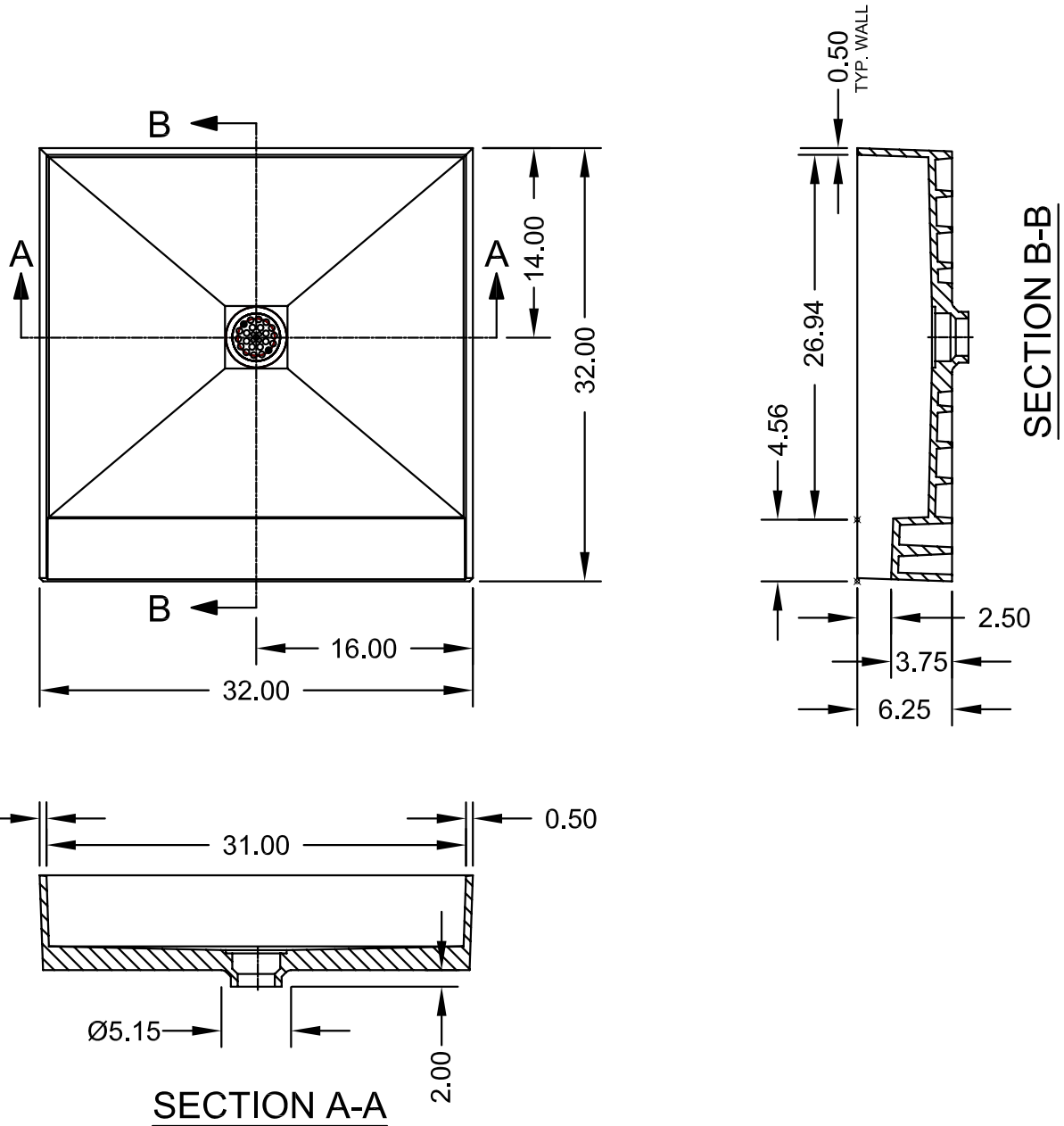
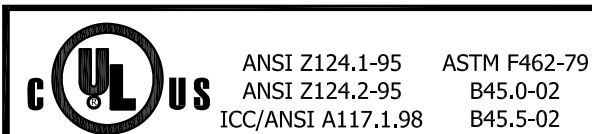


SCALE: 1/12



Product Features:

- .Integrated 2" PVC drain (adaptable to cast iron and ABS)
- .Integrated curb with structural ribbing
- .6" Splash Walls
- .Floor pre-pitched 1/4" per foot to drain
- .Tile set directly on pan surface
- .No mud setting or hot mopping required
- .Round polished adjustable drain plate (square plates available)



Toll Free 800.232.6156 techsupport@tileredi.com
 Tel: 954.323.0125
 Fax: 954.344.8064 www.tileredi.com

